



CAST IRON ARMATURE BULGARIA® SA

7800 Popovo, Industrial zone

Phone: + 359 608 43654

<http://www.cia.bg>

E-mail: cia@cia.bg



STREET COVER SERIES 920, 955, 960

APPLICATION

The street cover is used for protection of control end of the valve rod of the pipeline.

TECHNICAL DESCRIPTION

The device consists of body and cover. The bolt is connected to the cover and makes lifting and turning of cover possible during opening.

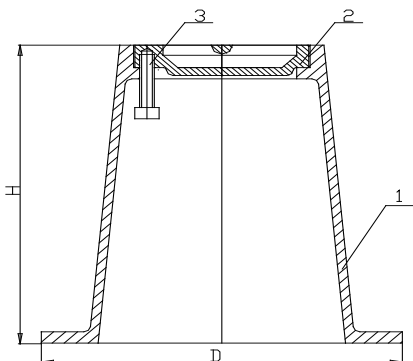


MATERIALS

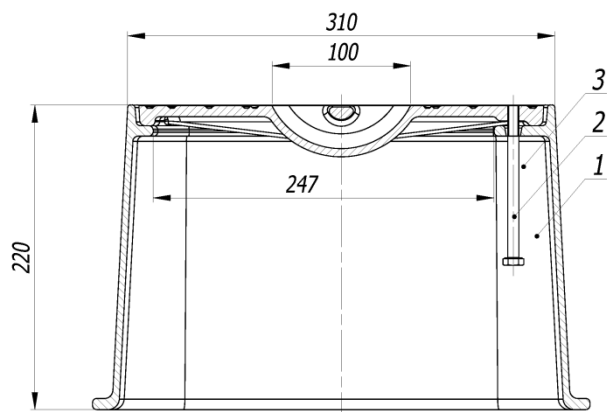
No	Detail	Material	Number	Standard
1	Body	EN-GJL 250	5.1301	BDS EN 1561
2	Bonnet	EN-GJL 250	5.1301	BDS EN 1561
3	Bol M8 x 60		1.0037	BDS EN ISO 4014
	Coating series 955 and 960	Epoxy paint RAL 5015		
	Coating series 920, 955 and 960	Alkyd enamel RAL 5015		

DIMENSIONS

SERIES	D	H	G, Kg
920	310	220	21,0
955	160	150	3,7
960	200	200	7,1



Series 955 – 960



Series 920