



## CAST IRON ARMATURE BULGARIA® SA

7800 Popovo, Industrial zone

Phone: + 359 608 43654

<http://www.cia.bg>

E-mail: [cia@cia.bg](mailto:cia@cia.bg)



<b>COMBINED FLANGE</b>	<b>DN</b>	<b>PN</b>
<b>SERIES 805</b>	<b>80-150</b>	<b>16</b>

### APPLICATION

The combined adaptor is installed on pipes of various materials and diameters through which are transported water or non-aggressive fluids, at a pressure not exceeding PN16 and  $T_{max}$  120°C.

Easy assembly and very economical solution at flange coupling. At tightening with opposite flange the product is self-wedging on the pipe.



### INSTALLATION

The combined flange can be mounted in any position on pipelines.

### MATERIALS FOR MAJOR DETAILS

No	Detail	Material	Number	Standard
1	Body	EN-GJS-500-7	5.3200	BDS EN1563
2	Sealing	EPDM		
3	Locking ring	CuZn40Pb2	CW617N	BDS EN 12164
4	Cover	EN-GJS-500-7	5.3200	BDS EN1563
	Coating	Epoxy RAL 5015		

### DIMENSIONS

DN	d	D1	D2	n x d	H
80	90	160	200	8 x 19	80
100	110	180	220	8 x 19	80
150	160	240	285	8 x 23	90



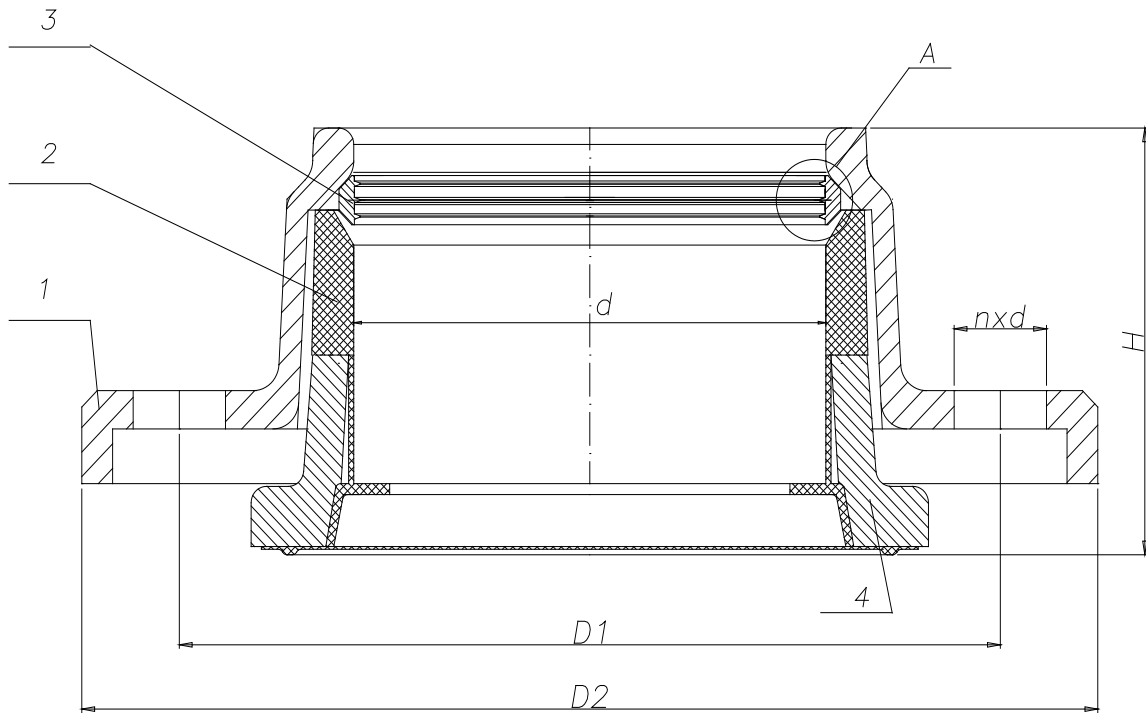
**CAST IRON ARMATURE BULGARIA® SA**

7800 Popovo, Industrial zone

Phone: + 359 608 43654

<http://www.cia.bg>

E-mail: [cia@cia.bg](mailto:cia@cia.bg)



**A**

